

CRV PRESSURE RELIEF VALVE

- AVAILABLE IN SIZES 1/2" AND 3/4" FNPT
- UL LISTED AND FM APPROVED FOR USE AS A FIRE PUMP CASING RELIEF VALVE
- DIRECT ACTING WITH PRECISE PRESSURE CONTROL
- DRIP-TIGHT CLOSURE
- MANUFACTURED WITH PRECISION O-RINGS
- GLOBE OR ANGLE CONFIGURATIONS AVAILABLE
- SENSITIVE TO SMALL PRESSURE VARIATIONS
- MEETS LOW-LEAD REQUIREMENTS
- AVAILABLE IN LOW-LEAD BRASS OR 316 STAINLESS STEEL

The Control Devices model CRV (UL listed and FM approved) pressure relief valve is a direct-acting, spring-loaded, piston-type relief valve. The valve may be installed in any position and will open within very close pressure limits. The bottom plug may be removed and installed in the inlet to convert to an angle-pattern flow path.

The CRV is normally held closed by the force of the compression spring above the piston. When the controlling pressure, which is applied to the chamber beneath the piston through an internal passage, exceeds the spring's setting, the disc is lifted off its seal, permitting flow through the control. When control pressure drops below the spring's setting, the spring forces the control back to its normal, closed position.

Turn the adjusting screw to vary the spring load on the piston and adjust the pressure. The model CRV is adjustable between 20 PSI and 300 PSI.



CONTROL DEVICES, LLC
1555 LARKIN WILLIAMS ROAD
FENTON, MISSOURI 63026

+1 636.660.7100
+1 800.233.1477

WWW.CDIVALVE.COM

Item# **CRV**



SPECIFICATIONS

Size: 1/2" and 3/4" female NPT threaded

Temperature Range: 180° Fahrenheit max

Materials: Body and cover are forged, low-lead brass

Trim: 316 stainless steel

Rubber: Chloramine-resistant EPDM

Pressure Ratings: 400 PSI max

Other Materials: 316 stainless steel body and cover available

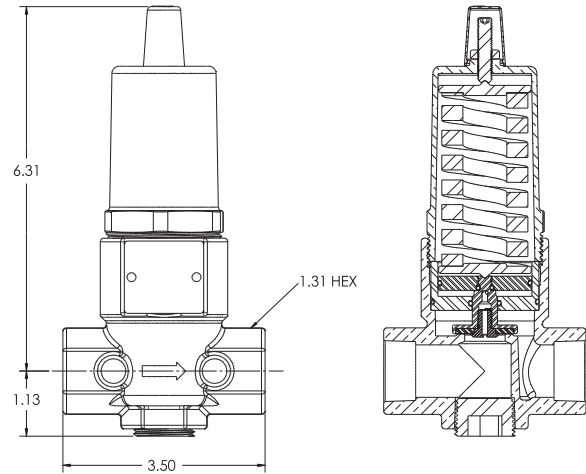
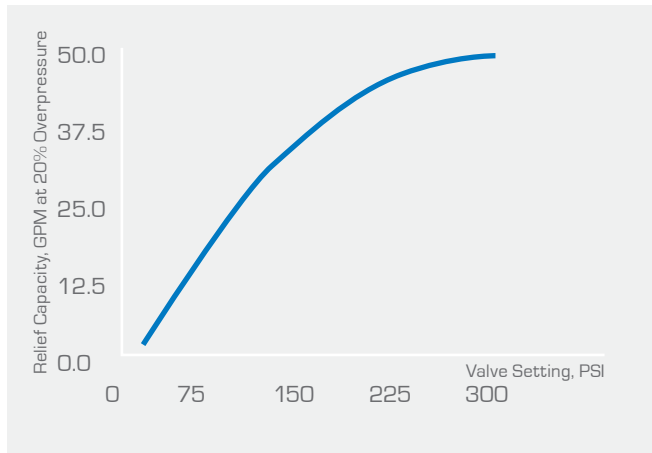
Adjustment Range: 20 PSI to 300 PSI



control
devices, LLC

PRESSURE RELIEF VALVE

CRV FLOW CAPACITY



FIRE PROTECTION SYSTEM SERVICE

The model CRV is typically used in a fire protection system to trim water pressure, thus preventing pressure buildup whenever line pressure exceeds the setting of the spring. The CRV will relieve excess pressure to the atmosphere in order to prevent damage to the distributor network.

NOTE: The model CRV is not suitable for discharging the full-rated pump capacity of a fire pump.



PRESSURE DROP CHART

Valve Model	Cv Factor	Max Flow [GPM]
CRV	9.5	49

WHEN ORDERING, BE CERTAIN TO SPECIFY:

1. MODEL CRV
2. PORT SIZE OF THE VALVE'S INLET AND OUTLET (1/2 OR 3/4 INCH)
3. MATERIAL: BRASS (STANDARD) OR 316 STAINLESS



1555 LARKIN WILLIAMS ROAD FENTON, MISSOURI 63026

+1 636.660.7100 +1 800.233.1477

