



REFRIGERANT DISTRIBUTORS

PRODUCT CATALOG



OUR REFRIGERANT DISTRIBUTORS

KEEPFLO, INC. WAS ACQUIRED BY CONTROL DEVICES, LLC IN 2012. KEEPFLO IS A LEADING MANUFACTURER OF REFRIGERANT DISTRIBUTORS, CRITICAL COMPONENTS OF AIR CONDITIONING AND REFRIGERANT SYSTEMS. KEEPFLO SUPPLIES REFRIGERANT DISTRIBUTORS AND BRAZED ASSEMBLIES TO LEADING AIR CONDITIONING AND REFRIGERATION OEMS, SUBSYSTEM MANUFACTURERS, AND NATIONAL AND REGIONAL DISTRIBUTORS.



REFRIGERANT DISTRIBUTORS

NOZZLE-TYPE DISTRIBUTORS

THE NOZZLE-TYPE DISTRIBUTOR HAS A REPLACEABLE NOZZLE FOR ADIABATIC PRESSURE DROP BEFORE ENTERING THE COIL CIRCUIT TUBES. BY CHANGING NOZZLES WITH DIFFERENT ORIFICE SIZES, ONE BODY TYPE MAY BE USED FOR VARIOUS REFRIGERANTS.

SELECTION METHOD

1. SELECT THE NUMBER OF CIRCUITS FOR THE EVAPORATOR.
2. CALCULATE CIRCUIT LOADING.
3. OBTAIN THE DISTRIBUTOR TUBE SIZE FROM PAGE 4 WITH CIRCUIT LOADING, SUCTION TEMPERATURE AND TYPE OF REFRIGERANT.
4. SELECT DISTRIBUTOR NOZZLE ORIFICE NUMBER FROM PAGE 5 WITH TOTAL CAPACITY, REFRIGERANT TYPE AND SUCTION TEMPERATURE.
5. SELECT THE DISTRIBUTOR TYPE WITH REQUIRED CIRCUITS AND TUBE SIZE.

EXAMPLE

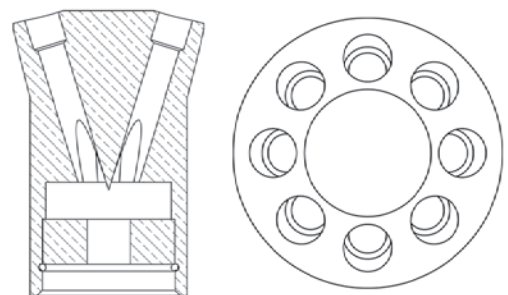
NUMBER OF CIRCUITS	12
LOADING/CIRCUIT	0.7 TON
SUCTION TEMPERATURE	20°F
REFRIGERANT TYPE	R-22
TOTAL LOAD	8.4 TONS

SELECTED DISTRIBUTOR

12 CIRCUIT. 1/4" CIRCUIT TUBES. NUMBER 10 NOZZLE.
DISTRIBUTOR TYPE 902.

ORDERING INFORMATION

TYPE	NUMBER OF CIRCUITS	CIRCUIT TUBE SIZE	NOZZLE ORIFICE NUMBER
		902-12-1/4-10	



VISIT
WWW.KEEPFLO.COM
FOR DISTRIBUTOR
SELECTION SOFTWARE

NOZZLE-TYPE DISTRIBUTORS

DISTRIBUTOR TUBE CIRCUIT CAPACITY TABLE

TONS OF REFRIGERATION																				
Tube Size inches O.D.	R-12 / R-134A Evaporator Temperature (°F)					R-22 Evaporator Temperature (°F)					R-404A / R-502/ R-507 Evaporator Temperature (°F)					R-410A Evaporator Temperature (°F)				
	40°	20°	0°	-20°	-40°	40°	20°	0°	-20°	-40°	40°	20°	0°	-20°	-40°	40°	20°	0°	-20°	-40°
5/32	0.19	0.14	0.11	0.09	0.06	0.26	0.21	0.16	0.12	0.09	0.18	0.13	0.10	0.07	0.05	—	—	—	—	—
3/16	0.40	0.30	0.23	0.17	0.13	0.53	0.44	0.33	0.24	0.20	0.37	0.28	0.22	0.15	0.12	0.42	0.31	0.23	0.18	0.14
1/4	0.80	0.60	0.45	0.33	0.25	1.10	0.89	0.67	0.49	0.39	0.73	0.58	0.43	0.31	0.23	1.21	0.90	0.68	0.52	0.40
5/16	1.60	1.20	0.90	0.86	0.50	2.20	1.70	1.30	0.98	0.79	1.50	1.10	0.83	0.62	0.46	2.46	1.83	1.39	1.06	0.81
3/8	2.80	2.10	1.60	1.20	0.88	3.70	2.90	2.20	1.70	1.40	2.50	2.00	1.50	1.10	0.80	4.44	3.32	2.51	1.91	1.47

Refrigerants at various evaporator temperatures - Tons of Refrigeration

Capacity per circuit at 10 psi pressure drop. See Distributor Loading vs. Pressure Drop table on page 6 for pressure drop at 50% to 200% of this rating.

LIQUID TEMPERATURE AND CIRCUIT TUBE LENGTH CORRECTION FACTORS

*Correction Factors for Other Liquid Temperatures											
Liquid Temperature	50°	60°	70°	80°	90°	100°	110°	120°			
Correction Factor	2.10	1.83	1.59	1.37	1.17	1.00	0.85	0.72			
Correction Factors for Other Distributor Tube Lengths											
Tube Length – Inches	12	18	24	30	36	42	48	54	60	66	72
Correction Factor	1.36	1.16	1.07	1.00	0.95	0.90	0.86	0.82	0.79	0.76	0.73

*100°F liquid entering thermostatic expansion valve.

NOZZLE-TYPE DISTRIBUTORS

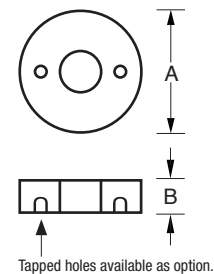
NOZZLE CAPACITY TABLE - TONS OF REFRIGERANT

Nozzle Orifice Number	TONS OF REFRIGERATION																			
	R-134A Evaporator Temperature (°F)				R-22 Evaporator Temperature (°F)					R-404A / R-502 / R-507 Evaporator Temperature (°F)					R-410A Evaporator Temperature (°F)					
	40°	20°	0°	-20°	40°	20°	0°	-20°	-40°	40°	20°	0°	-20°	-40°	40°	20°	0°	-20°	-40°	
1/9	0.08	0.06	0.05	0.04	0.14	0.11	0.09	0.07	0.06	0.09	0.07	0.05	0.04	0.04	0.16	0.13	0.1	0.08	0.07	
1/6	0.12	0.09	0.07	0.06	0.21	0.16	0.13	0.11	0.09	0.14	0.11	0.08	0.07	0.05	0.25	0.2	0.16	0.13	0.11	
1/4	0.20	0.15	0.12	0.10	0.34	0.26	0.21	0.18	0.15	0.23	0.17	0.13	0.11	0.09	0.4	0.31	0.25	0.21	0.17	
1/3	0.26	0.20	0.15	0.13	0.44	0.34	0.28	0.23	0.20	0.3	0.23	0.18	0.14	0.11	0.53	0.41	0.33	0.27	0.23	
1/2	0.36	0.27	0.21	0.17	0.61	0.48	0.38	0.32	0.27	0.41	0.31	0.24	0.19	0.16	0.73	0.57	0.46	0.37	0.31	
3/4	0.54	0.41	0.32	0.26	0.92	0.72	0.58	0.48	0.41	0.62	0.47	0.37	0.29	0.24	1.1	0.86	0.69	0.57	0.47	
1	0.72	0.54	0.43	0.35	1.23	0.96	0.78	0.64	0.55	0.83	0.63	0.49	0.39	0.32	1.47	1.15	0.92	0.76	0.64	
1-1/2	1.05	0.79	0.62	0.51	1.79	1.40	1.13	0.94	0.80	1.2	0.92	0.71	0.57	0.46	2.14	1.67	1.34	1.1	0.92	
2	1.44	1.09	0.86	0.70	2.46	1.92	1.55	1.29	1.10	1.65	1.26	0.98	0.78	0.64	2.93	2.3	1.84	1.51	1.27	
2-1/2	1.79	1.35	1.07	0.88	3.06	2.39	1.93	1.60	1.37	2.06	1.57	1.22	0.97	0.79	3.66	2.86	2.3	1.88	1.58	
3	2.15	1.63	1.28	1.05	3.68	2.87	2.32	1.92	1.65	2.47	1.88	1.47	1.17	0.95	4.39	3.44	2.76	2.26	1.9	
4	2.88	2.18	1.72	1.41	4.92	3.84	3.10	2.58	2.20	3.31	2.52	1.96	1.56	1.27	5.88	4.6	3.69	3.02	2.54	
5	3.55	2.68	2.12	1.73	6.07	4.74	3.82	3.18	2.72	4.08	3.11	2.42	1.93	1.57	7.25	5.67	4.55	3.73	3.13	
6	4.26	3.22	2.54	2.08	7.28	5.68	4.58	3.81	3.26	4.89	3.72	2.91	2.31	1.88	8.69	6.8	5.45	4.47	3.76	
8	5.13	3.88	3.06	2.51	8.77	6.84	5.52	4.59	3.92	5.89	4.49	3.5	2.79	2.27	10.5	8.19	6.57	5.39	4.53	
10	5.75	4.35	3.43	2.81	9.83	7.67	6.19	5.14	4.40	6.6	5.03	3.92	3.12	2.54	11.7	9.18	7.36	6.04	5.07	
12	7.10	5.36	4.23	3.47	12.10	9.47	7.64	6.35	5.43	8.16	6.21	4.84	3.86	3.14	14.5	11.3	9.09	7.46	6.26	
15	8.81	6.65	5.25	4.30	15.00	11.70	9.48	7.88	6.73	10.1	7.7	6.01	4.78	3.89	18	14.1	11.3	9.25	7.77	
17	9.85	7.44	5.87	4.81	16.80	13.10	10.60	8.81	7.53	11.3	8.61	6.72	5.35	4.35	20.1	15.7	12.6	10.3	8.69	
20	11.90	8.96	7.07	5.80	20.30	15.80	12.80	10.60	9.08	13.6	10.4	8.1	6.45	5.24	24.2	19	15.2	12.5	10.5	
25	14.90	11.30	8.90	7.29	25.50	19.90	16.10	13.40	11.40	17.1	13.1	10.2	8.11	6.6	30.5	23.8	19.1	15.7	13.2	
30	17.10	12.90	10.20	8.33	29.10	22.70	18.40	15.30	13.00	19.6	14.9	11.6	9.27	7.54	34.8	27.2	21.8	17.9	15	
35	20.50	15.50	12.20	10.00	35.10	27.40	22.10	18.40	15.70	23.6	17.9	14	11.1	9.07	41.9	32.8	26.3	21.5	18.1	
40	23.00	17.40	13.70	11.20	39.30	30.70	24.80	20.60	17.60	26.4	20.1	15.7	12.5	10.2	47	36.7	29.5	24.2	20.3	
50	29.90	22.50	17.80	14.60	51.00	39.80	32.10	26.70	22.80	34.3	26.1	20.4	16.2	13.2	60.9	47.7	38.2	31.3	26.3	

NOZZLES AND RETAINING RINGS

NOZZLES AND RINGS MAY BE ORDERED SEPERATELY. INFORMATION REQUIRED FOR NOZZLES IS OUTSIDE DIAMETER OF NOZZLE, (WHICH IS DESIGNATED BY A LETTER) AND A NUMBER WHICH DETERMINES THE ORIFICE SIZE. NOZZLES ARE INTERCHANGEABLE WITH SEVERAL BODIES OF THE SAME INLET SIZE. RINGS MAY BE ORDERED WITH A LETTER CORRESPONDING TO THE NOZZLE. FOR EXAMPLE, "E" RING WOULD GO WITH A DISTRIBUTOR BODY THAT TAKES AN "E" NOZZLE.

Nozzle Size	A	B
A	1.375	0.25
C	1.120	0.25
E	1.000	0.25
G	0.735	0.25
J	0.498	0.25
L	0.401	0.187



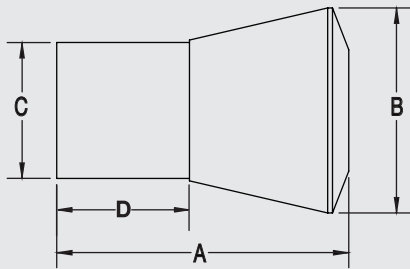
NOZZLE-TYPE DISTRIBUTORS

PRESSURE DROP VS. DISTRIBUTOR LOADING

PRESSURE DROP VS. DISTRIBUTOR LOADING						
Actual load as a % of published rating (corrected for liquid temperature and/or tube length if necessary)	Refrigerant					
	R-134A		R-12 / R-404A / R-502 / R-507		R-410A	
	ΔP Nozzle (psi)	ΔP Tubes and Passages (psi)	ΔP Nozzle (psi)	ΔP Tubes and Passages (psi)	ΔP Nozzle (psi)	ΔP Tubes and Passages (psi)
50	4	3	7	3	12	3
60	6	4	10	4	17	4
70	8	5	13	5	21	6
80	10	6	16	6	26	7
90	12	8	20	8	30	9
100	15	10	25	10	35	10
110	18	12	30	12	40	12
120	20	14	35	14	44	13
130	22	16	38	16	49	15
140	24	18	40	18	53	16
150	27	21	43	21	58	18
160	29	23	46	24	62	20
170	31	25	49	27	67	21
180	33	27	52	30	71	23
190	36	29	54	32	76	25
200	38	31	57	34	80	26

NOZZLE-TYPE DISTRIBUTORS

DISTRIBUTOR DIMENSIONS



Type	Max. No of Circuits	Nozzle Numbers available	Nozzle Size	A	B	C	D
401	5/32 - 2 to 7 3/16 - 2 to 6 1/4 - 2 to 4	1/2 thru 5	*	1.19	0.81	.498 to .500	0.47
402	5/32 - 8 to 10 3/16 - 7 to 8 1/4 - 5 to 6 5/16 - 2 to 4	1/2 thru 5	*	1.56	1.25	.499 to .500	0.40
501	5/32 - 2 to 6 3/16 - 2 to 4 1/4 - 2 to 4	1/2 thru 5	J	1.21	0.88	.623 to .625	0.59
502	5/32 - 7 to 10 3/16 - 5 to 8 1/4 - 5 to 6 5/16 - 2 to 4	1/2 thru 5	J	1.49	1.06	.623 to .625	0.52
701	5/32 - 7 to 8 3/16 - 5 to 7 1/4 - 4 to 6 5/16 - 2 to 4 3/8 - 2	3/4 thru 12	G	1.58	1.06	.873 to .875	1.07
702	5/32 - 9 to 12 3/16 - 8 to 12 1/4 - 7 to 8 5/16 - 5 to 6 3/8 - 3 to 4	3/4 thru 12	G	1.81	1.25	.873 to .875	0.92
705	5/32 - 13 to 20 3/16 - 13 to 16 1/4 - 9 to 13 5/16 - 7 to 9	3/4 thru 12	G	1.81	1.63	.873 to .875	0.88
901	5/32 - 13 to 19 3/16 - 11 to 15 1/4 - 9 to 10 5/16 - 7 to 8 3/8 - 5 to 6	3 thru 30	E	2.51	1.63	1.123 to 1.125	1.23
902	5/32 - 20 3/16 - 16 to 19 1/4 - 11 to 14 5/16 - 9 to 10	3 thru 30	E	2.44	1.75	1.123 to 1.125	1.13
1101	3/16 - 16 to 18 1/4 - 11 to 14 5/16 - 7 to 9 3/8 - 5 to 7	3 thru 30	C	2.44	1.75	1.373 to 1.375	1.13
1102	3/16 - 19 to 24 1/4 - 15 to 18 5/16 - 10 to 15 3/8 - 8 to 12	3 thru 50	C	3.40	2.38	1.373 to 1.375	1.38
1103	3/16 - 25 to 33 1/4 - 19 to 27 5/16 - 16 to 21 3/8 - 13 to 16	3 thru 50	C	3.07	3.00	1.373 to 1.375	1.16
1301	3/16 - 25 to 33 1/4 - 19 to 24 5/16 - 16 to 20 3/8 - 13 to 16	10 thru 50	A	3.07	3.00	1.623 to 1.625	1.23
1303	3/16 - 34 to 40 1/4 - 25 to 31 5/16 - 21 to 26 3/8 - 17 to 21	10 thru 50	A	3.33	3.50	1.623 to 1.625	1.20
1304	3/16 - 41 to 45 1/4 - 32 to 35 5/16 - 27 to 30 3/8 - 22 to 24	10 thru 50	A	3.92	4.00	1.623 to 1.625	1.30
1305	3/16 - 46 to 51 1/4 - 36 to 40 5/16 - 31 to 34 3/8 - 25 to 27	10 thru 50	A	4.30	4.50	1.623 to 1.625	1.44
1306	3/16 - 52 to 54 1/4 - 41 to 43 5/16 - 35 to 36 3/8 - 28 to 29	10 thru 50	A	4.46	4.75	1.623 to 1.625	1.44

*Permanent Not Replaceable

LET US DO IT FOR YOU! KEEPFL0
CAN BRAZE COPPER STUB INLETS
AND/OR COPPER CIRCUIT LEADS
TO ALMOST ANY DISTRIBUTOR.
ASK YOUR KEEPFL0 SALESPERSON
ABOUT THESE OPTIONS.

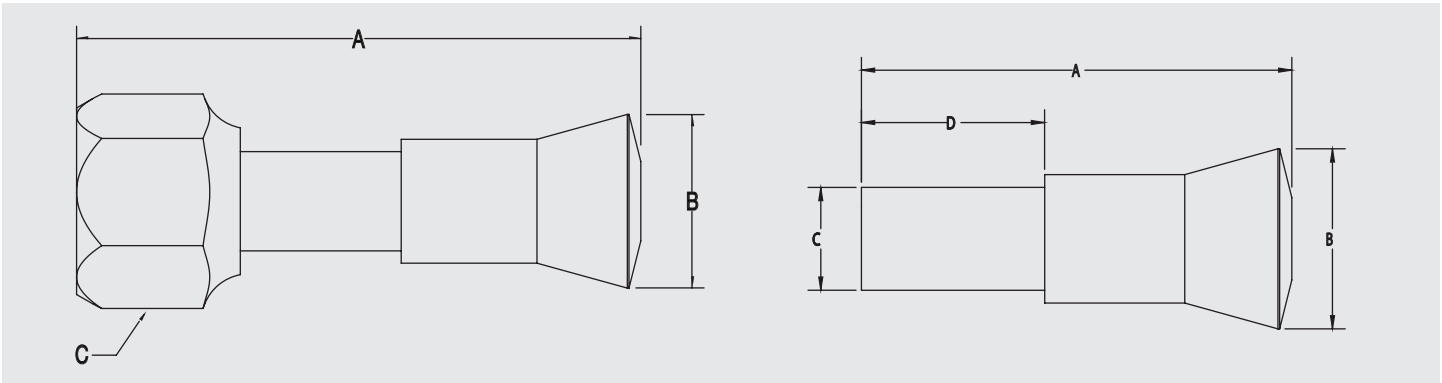
NOZZLE-TYPE DISTRIBUTORS

FLARE AND COPPER STUB TUBE INLET



Type	Max. No of Circuits	Nozzle Numbers available	Nozzle Size	A	B	C	D
F401	5/32 - 2 to 7 3/16 - 2 to 6 1/4 - 2 to 4	1/2 thru 5	*	2.42	0.81	1/2 FLARE NUT	-
S401	5/32 - 2 to 7 3/16 - 2 to 6 1/4 - 2 to 4	1/2 thru 5	*	1.89	0.81	.50	0.81
F403	5/32 - 2 to 7 3/16 - 2 to 6 1/4 - 2 to 4	1/2 thru 8	L	2.61	0.88	1/2 FLARE NUT	-
S403	5/32 - 2 to 7 3/16 - 2 to 6 1/4 - 2 to 4	1/2 thru 8	L	2.08	0.88	.50	0.88
F404	5/32 - 2 to 10 3/16 - 2 to 8 1/4 - 2 to 6 5/16 - 2 to 4	1/2 thru 8	L	2.91	1.06	1/2 FLARE NUT	-
S404	5/32 - 2 to 10 3/16 - 2 to 8 1/4 - 2 to 6 5/16 - 2 to 4	1/2 thru 8	L	2.38	1.06	.50	0.88
F501	5/32 - 2 to 10 3/16 - 2 to 8 1/4 - 2 to 6	1/2 thru 5	J	2.29	0.88	5/8 FLARE NUT	-

*Permanent Not Replaceable

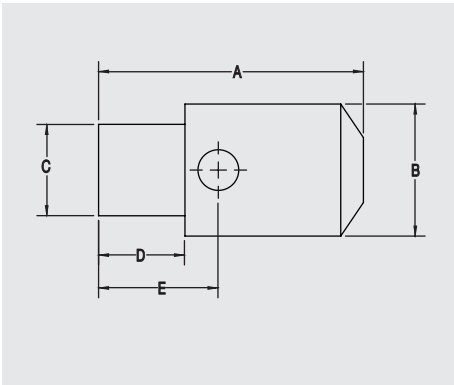


NOZZLE-TYPE DISTRIBUTORS

HEAT PUMP AND HOT GAS DEFROST APPLICATIONS WITH SIDE HOLES

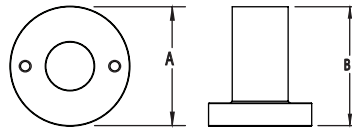


Type	Max. No of Circuits	Nozzle Numbers available	Nozzle Size	Side Connection		A	B	C	D	E
				Number	Size (ODF)					
503	5/32 - 2 to 8 3/16 - 2 to 7 1/4 - 2 to 4	1/2 thru 5	JR	1 or 2	3/8 or 1/2	2.02	0.88	.623 to .625	0.66	0.95
703	5/32 - 9 to 14 3/16 - 8 to 12 1/4 - 5 to 9 5/16 - 2 to 6 3/8 - 2 to 4	3/4 thru 12	GR	1 or 2	3/8 or 1/2	2.55	1.25	.873 to .875	0.91	1.25
903	5/32 - 15 to 19 3/16 - 11 to 16 1/4 - 9 to 12 5/16 - 6 to 9 3/8 - 5 to 7	3 thru 30	ER	1 or 2	3/8 or 1/2 or 5/8	3.25	1.63	1.123 to 1.125	1.06	1.47
1104	5/32 - 21 to 30 3/16 - 17 to 24 1/4 - 13 to 18 5/16 - 10 to 14 3/8 - 8 to 11	3 thru 30	CR	1 or 2	1/2 or 5/8 or 7/8	4.18	2.25	1.373 to 1.375	1.31	1.88
1302	3/16 - 27 to 32 1/4 - 19 to 24 5/16 - 15 to 18 3/8 - 12 to 14	3 thru 50	AR	1 or 2	7/8 or 1-1/8	4.36	2.75	1.623 to 1.625	1.3	1.94



R-TYPE NOZZLES

R-TYPE NOZZLES CAN BE ORDERED WITH A HOT GAS BYPASS DISTRIBUTOR OR AS A SEPERATE ITEM. RINGS AND NOZZLES OF THE SAME LETTER (OD) ARE USED TOGETHER. FOR EXAMPLE, A GR5 NOZZLE WILL REQUIRE A G RETAINING RING.

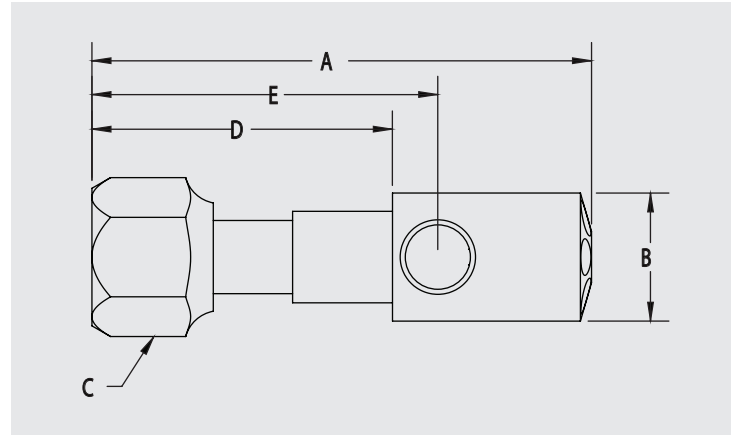
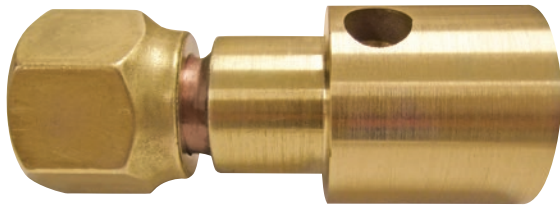


Nozzle Size	A	B
AR	1.375	1.62
CR	1.120	1.30
ER	1.000	0.98
GR	0.735	0.84
JR	0.498	0.82

LET US DO IT FOR YOU! KEEPFL0 CAN BRAZE COPPER STUB INLETS AND/OR COPPER CIRCUIT LEADS TO ALMOST ANY DISTRIBUTOR. ASK YOUR KEEPFL0 SALESPERSON ABOUT THESE OPTIONS.

NOZZLE-TYPE DISTRIBUTORS

HEAT PUMP AND HOT GAS DEFROST APPLICATIONS, FLARE INLET WITH SIDE HOLES



Type	Max. No of Circuits	Nozzle Numbers available	Nozzle Size	Side Connection		A	B	C	D	E
				Number	Size (ODF)					
F405	5/32 - 2 to 8 3/16 - 2 to 7 1/4 - 2 to 4	1/2 thru 5	Permanent Not Replaceable	1 or 2	3/8 or 1/2	3.4	0.88	1/2 FLARE NUT	1.93	2.2
F504	5/32 - 9 to 14 3/16 - 8 to 10 1/4 - 5 to 8 5/16 - 2 to 5 3/8 - 5 to 7	3/4 thru 12	Permanent Not Replaceable	1 or 2	3/8 or 1/2	3.4	1.25	5/8 FLARE NUT	2.05	2.35

REFRIGERANT DISTRIBUTORS VENTURI-FLO™ LOW PRESSURE DROP DISTRIBUTORS

KEEPFLO IS PROUD OF ITS LEGACY AS THE ORIGINAL DESIGNER OF THE VENTURI-FLO LOW PRESSURE DROP DISTRIBUTOR, RENOWNED IN THE HVACR TRADE FOR ITS UNIQUE, ONE-PIECE DESIGN. VENTURI-FLO DISTRIBUTORS PROVIDE FOR MAXIMUM DISTRIBUTION EFFICIENCY TO A MULTI-CIRCUIT EVAPORATOR, WHILE ENSURING MINIMUM PRESSURE DROP. THIS IS ACCOMPLISHED BY UTILIZING A LOW PRESSURE DROP FLOW PATH IN THE DESIGN OF THE DISTRIBUTOR, WHICH RESULTS IN A SMOOTH-CONTOUR FLOW PATH THAT DELIVERS EQUAL DISTRIBUTION OF THE REFRIGERANT TO EACH EVAPORATOR CIRCUIT. VENTURI-FLO DISTRIBUTORS CAN BE USED ON ANY DIRECT EXPANSION MULTI-CIRCUIT EVAPORATOR DESIGNED WITH EQUAL LENGTH AND EQUALLY LOADED CIRCUITS.



VISIT
WWW.KEEPFLO.COM
FOR DISTRIBUTOR
SELECTION SOFTWARE

5/32" ODF VENTURI CAPACITY

DISTRIBUTORS 5/32 ODF																
Catalog Number	# of outlets	TONS - R-22					TONS - R-134A					TONS - R-404A / R-502 / R-507				
		40°	20°	0°	-20°	-40°	40°	20°	0°	-20°	-40°	40°	20°	0°	-20°	-40°
4-2.5-2 5-2.5-2	2	0.88	0.60	0.40	0.26	0.18	0.600	0.408	0.264	0.168	0.120	0.45	0.31	0.19	0.12	0.09
4-2.5-3 5-2.5-3	3	1.32	0.90	0.60	0.39	0.27	0.900	0.612	0.396	0.252	0.180	0.68	0.46	0.29	0.18	0.13
4-2.5-4 5-2.5-4	4	1.76	1.20	0.80	0.52	0.36	1.200	0.816	0.528	0.336	0.240	0.90	0.61	0.39	0.25	0.18
4-2.5-5 5-2.5-5	5	2.20	1.50	1.00	0.65	0.45	1.500	1.020	0.660	0.420	0.300	1.13	0.77	0.49	0.31	0.22
4-2.5-6 5-2.5-6	6	2.64	1.80	1.20	0.78	0.54	1.800	1.224	0.792	0.504	0.360	1.35	0.92	0.59	0.37	0.27
4-2.5-7 5-2.5-7	7	3.08	2.10	1.40	0.91	0.63	2.100	1.428	0.924	0.588	0.420	1.57	1.07	0.69	0.43	0.31
4-2.5-8 5-2.5-8	8	3.52	2.40	1.60	1.04	0.72	2.400	1.632	1.056	0.672	0.480	1.80	1.22	0.79	0.50	0.36
4-2.5-9 5-2.5-9	9	3.96	2.70	1.80	1.17	0.81	2.700	1.836	1.188	0.756	0.540	2.03	1.38	0.89	0.56	0.40
4-2.5-10 5-2.5-10 7-2.5-10	10	4.40	3.00	2.00	1.30	0.90	3.00	2.04	1.32	0.84	0.60	2.25	1.53	0.99	0.63	0.45
7-2.5-11	11	4.84	3.30	2.20	1.43	0.99	3.30	2.24	1.45	0.92	0.66	2.47	1.68	1.08	0.69	0.49
F5-2.5-12 7-2.5-12	12	5.28	3.60	2.40	1.56	1.08	3.60	2.45	1.58	1.01	0.72	2.70	1.84	1.18	0.75	0.54
F5-2.5-13 7-2.5-13	13	5.72	3.90	2.60	1.69	1.17	3.90	2.65	1.72	1.09	0.78	2.93	1.99	1.28	0.81	0.58
F5-2.5-14 7-2.5-14	14	6.16	4.20	2.80	1.82	1.26	4.20	2.86	1.85	1.18	0.84	3.15	2.24	1.38	0.88	0.63
F5-2.5-15 7-2.5-15	15	6.60	4.50	3.00	1.95	1.35	4.50	3.06	1.98	1.26	0.90	3.37	2.36	1.48	0.94	0.67
7-2.5-16	16	7.04	4.80	3.20	2.08	1.44	4.80	3.26	2.11	1.34	0.96	3.60	2.49	1.58	1.00	0.72
7-2.5-17	17	7.48	5.10	3.50	2.21	1.54	5.10	3.47	2.24	1.43	1.02	3.82	2.61	1.68	1.06	0.76
7-2.5-18	18	7.92	5.40	3.60	2.34	1.62	5.40	3.67	2.38	1.51	1.08	4.05	2.75	1.78	1.13	0.81
7-2.5-19	19	8.36	5.70	3.80	2.47	1.71	5.70	3.88	2.51	1.60	1.14	4.27	2.90	1.83	1.19	0.85
7-2.5-20	20	8.80	6.00	4.00	2.60	1.80	6.00	4.08	2.64	1.68	1.20	4.50	3.06	1.98	1.26	0.90
7-2.5-21	21	9.25	6.30	4.20	2.73	1.89	6.30	4.28	2.77	1.76	1.26	4.72	3.21	2.07	1.32	0.94
7-2.5-22	22	9.70	6.60	4.40	2.86	1.98	6.60	4.49	2.90	1.85	1.32	4.95	3.36	2.17	1.38	0.99
7-2.5-23	23	10.15	6.90	4.60	2.99	2.07	6.90	4.69	3.04	1.93	1.38	5.17	3.51	2.27	1.44	1.03
7-2.5-24	24	10.60	7.20	4.80	3.12	2.16	7.20	4.90	3.17	2.02	1.44	5.40	3.67	2.37	1.51	1.08

VISIT
WWW.KEEPFLO.COM
FOR DISTRIBUTOR
SELECTION SOFTWARE

LET US DO IT FOR YOU! KEEPFLO
CAN BRAZE COPPER STUB INLETS
AND/OR COPPER CIRCUIT LEADS
TO ALMOST ANY DISTRIBUTOR.
**ASK YOUR KEEPFLO SALESPERSON
ABOUT THESE OPTIONS.**

3/16" ODF VENTURI CAPACITY

DISTRIBUTORS 3/16 ODF																
Catalog Number	# of outlets	3/16 ODF SIZE OUTLET														
		TONS - R-22					TONS - R-134A					TONS - R-404A / R-502 / R-507				
		40°	20°	0°	-20°	-40°	40°	20°	0°	-20°	-40°	40°	20°	0°	-20°	-40°
3-3-2 4-3-2 5-3-2	2	1.80	1.20	0.79	0.53	0.37	1.20	0.82	0.54	0.36	0.25	0.90	0.61	0.40	0.27	0.18
3-3-3 4-3-3 5-3-3	3	2.60	1.80	1.20	0.79	0.55	1.80	1.20	0.82	0.54	0.38	1.40	0.90	0.61	0.40	0.28
3-3-4 4-3-4 5-3-4	4	3.50	2.40	1.60	1.10	0.76	2.40	1.68	1.08	0.72	0.50	1.80	1.30	0.81	0.54	0.37
3-3-5 4-3-5 5-3-5 7-3-5	5	4.40	3.00	2.00	1.30	0.92	3.00	2.04	1.32	0.90	0.64	2.30	1.50	0.99	0.67	0.47
3-3-6 4-3-6 5-3-6 7-3-6	6	5.30	3.60	2.40	1.60	1.10	3.60	2.40	1.68	1.08	0.76	2.70	1.80	1.30	0.81	0.56
3-3-7 4-3-7 5-3-7 7-3-7	7	6.10	4.20	2.80	1.80	1.30	4.20	2.88	1.92	1.32	0.89	3.10	2.20	1.40	0.99	0.66
4-3-8 5-3-8 7-3-8 9-3-8	8	7.00	4.80	3.20	2.10	1.50	4.80	3.24	2.16	1.44	1.01	3.60	2.40	1.60	1.10	0.75
4-3-9 5-3-9 7-3-9 9-3-9	9	7.90	5.40	3.60	2.40	1.70	5.40	3.72	2.40	1.68	1.14	4.10	2.80	1.80	1.30	0.85
5-3-10 7-3-10 9-3-10	10	8.80	6.00	3.90	2.60	1.80	6.00	4.08	2.76	1.80	1.32	4.50	3.10	2.10	1.40	0.99
7-3-11 9-3-11	11	9.60	6.50	4.30	2.90	2.00	6.60	4.44	3.00	2.04	1.44	5.00	3.30	2.30	1.50	1.10
5-3-12 7-3-12 9-3-12	12	10.50	7.10	4.70	3.20	2.20	7.20	4.92	3.24	2.16	1.56	5.40	3.70	2.40	1.60	1.20
F5-3-13 7-3-13 9-3-13	13	11.40	7.70	5.10	3.40	2.40	7.80	5.28	3.48	2.40	1.68	5.90	4.00	2.60	1.80	1.30
7-3-14 9-3-14	14	12.30	8.30	5.50	3.70	2.60	8.40	5.76	3.84	2.52	1.80	6.30	4.30	2.90	1.90	1.40
7-3-15 9-3-15	15	13.10	8.90	5.90	4.00	2.80	9.00	6.12	4.08	2.76	1.92	6.80	4.60	3.10	2.10	1.50
7-3-16 9-3-16	16	14.00	9.50	6.30	4.20	2.90	9.60	6.48	4.32	2.88	2.04	7.20	4.90	3.20	2.20	1.50
7-3-17 9-3-17	17	14.90	10.10	6.70	4.50	3.10	10.20	6.96	4.56	3.12	2.16	7.70	5.20	3.40	2.30	1.60
7-3-18 9-3-18	18	15.80	10.70	7.10	4.70	3.30	10.80	7.32	4.92	3.24	2.28	8.10	5.50	3.70	2.40	1.70
7-3-19 9-3-19	19	16.60	11.30	7.50	5.00	3.50	11.40	7.80	5.16	3.48	2.40	8.60	5.90	3.90	2.60	1.80
7-3-20 9-3-20	20	17.50	11.90	7.90	5.30	3.70	12.00	8.16	5.40	3.60	2.52	9.00	6.10	4.10	2.70	1.90
7-3-21 9-3-21	21	18.40	12.50	8.30	5.50	3.90	12.60	8.52	5.64	3.72	2.64	9.40	6.40	4.30	2.80	2.00
7-3-22 9-3-22	22	19.20	13.10	8.70	5.80	4.00	13.20	9.00	5.88	3.96	2.76	9.90	6.70	4.50	2.90	2.10
7-3-23 9-3-23	23	20.10	13.70	9.10	6.00	4.20	13.80	9.36	6.12	4.08	2.88	10.30	7.00	4.70	3.00	2.20
7-3-24 9-3-24	24	21.00	14.30	9.50	6.30	4.40	14.40	9.84	6.48	4.32	3.00	10.80	7.40	4.90	3.20	2.30

REFRIGERANT DISTRIBUTORS
VENTURI-FLO™
 LOW PRESSURE DROP DISTRIBUTORS

1/4" ODF VENTURI CAPACITY

DISTRIBUTORS 1/4 ODF																
Catalog Number	# of outlets	1/4 ODF SIZE OUTLET														
		TONS - R-22					TONS - R-134A					TONS - R-404A / R-502 / R-507				
		40°	20°	0°	-20°	-40°	40°	20°	0°	-20°	-40°	40°	20°	0°	-20°	-40°
4-4-2 5-4-2 7-4-2	2	3.50	2.40	1.60	1.10	0.76	2.40	1.68	1.08	0.72	0.50	1.80	1.30	0.81	0.54	0.37
4-4-3 5-4-3 7-4-3	3	5.30	3.60	2.40	1.60	1.10	3.60	2.40	1.68	1.08	0.76	2.70	1.80	1.30	0.81	0.56
4-4-4 5-4-4 7-4-4	4	7.00	4.80	3.20	2.10	1.50	4.80	3.24	2.16	1.44	1.01	3.60	2.40	1.60	1.10	0.75
4-4-5 5-4-5 7-4-5	5	8.80	6.00	3.90	2.60	1.80	6.00	4.08	2.76	1.80	1.32	4.50	3.10	2.10	1.40	0.99
4-4-6 5-4-6 7-4-6 9-4-6	6	10.50	7.10	4.70	3.20	2.20	7.20	4.92	3.24	2.16	1.56	5.40	3.70	2.40	1.60	1.20
7-4-7 9-4-7	7	12.30	8.30	5.50	3.70	2.60	8.40	5.76	3.84	2.52	1.80	6.30	4.30	2.90	1.90	1.40
5-4-8 7-4-8 9-4-8	8	14.00	9.50	6.30	4.20	2.90	9.60	6.48	4.32	2.88	2.04	7.20	4.90	3.20	2.20	1.50
5-4-9 7-4-9 9-4-9 11-4-9	9	15.80	10.70	7.10	4.70	3.30	10.80	7.32	4.92	3.24	2.28	8.10	5.50	3.70	2.40	1.70
7-4-10 9-4-10 11-4-10	10	17.50	11.90	7.90	5.30	3.70	12.00	8.16	5.40	3.60	2.52	9.00	6.10	4.10	2.70	1.90
7-4-11 11-4-11	11	19.30	13.10	8.70	5.80	4.10	13.20	9.00	6.00	3.96	2.76	9.90	6.80	4.50	3.00	2.10
7-4-12 9-4-12 11-4-12	12	21.00	14.30	9.50	6.30	4.40	14.40	9.84	6.48	4.32	3.00	10.80	7.40	4.90	3.20	2.30
7-4-13 9-4-13 11-4-13	13	22.80	15.50	10.20	6.80	4.80	15.60	10.56	7.08	4.68	3.24	11.70	7.90	5.30	3.50	2.40
7-4-14 9-4-14 11-4-14	14	24.50	16.70	11.00	7.40	5.20	16.80	11.40	7.56	5.04	3.48	12.60	8.60	5.70	3.80	2.60
7-4-15 9-4-15 11-4-15	15	26.30	17.90	11.80	7.90	5.50	18.00	12.24	8.04	5.40	3.84	13.50	9.20	6.00	4.10	2.90
7-4-16 9-4-16 11-4-16	16	28.00	19.00	12.60	8.40	5.90	19.20	13.08	8.64	5.76	4.08	14.40	9.80	6.50	4.30	3.10
7-4-17 11-4-17	17	29.80	20.20	13.40	8.90	6.30	20.40	13.92	9.24	6.12	4.32	15.30	10.40	6.90	4.60	3.20
7-4-18 11-4-18	18	31.50	21.40	14.20	9.50	6.60	21.60	14.64	9.72	6.48	4.56	16.20	11.00	7.30	4.90	3.40
7-4-19 11-4-19	19	33.30	22.60	15.00	10.00	7.00	22.80	15.48	10.32	6.84	4.80	17.10	11.60	7.70	5.10	3.60
7-4-20 11-4-20	20	35.00	23.80	15.80	10.50	7.40	24.00	16.32	10.80	7.20	5.04	18.00	12.20	8.10	5.40	3.80
7-4-21 11-4-21	21	36.80	25.00	16.60	11.10	7.70	25.20	17.16	11.40	7.56	5.28	18.90	12.90	8.60	5.70	4.00
7-4-22 11-4-22	22	38.50	26.20	17.30	11.60	8.10	26.40	18.00	11.88	7.92	5.52	19.80	13.50	8.90	5.90	4.10
7-4-23 11-4-23	23	40.30	27.40	18.10	12.10	8.50	27.60	18.72	12.48	8.28	5.76	20.70	14.00	9.40	6.20	4.30
7-4-24 11-4-24	24	42.00	28.60	18.90	12.60	8.80	28.80	19.56	12.96	8.64	6.00	21.60	14.70	9.70	6.50	4.50

5/16" ODF VENTURI CAPACITY

DISTRIBUTORS 5/16 ODF																
Catalog Number	# of outlets	5/16 ODF SIZE OUTLET														
		TONS - R-22					TONS - R-134A					TONS - R-404A / R-502 / R-507				
		40°	20°	0°	-20°	-40°	40°	20°	0°	-20°	-40°	40°	20°	0°	-20°	-40°
4-5-2 5-5-2 7-5-2	2	7.00	4.80	3.20	2.10	1.50	4.80	3.24	2.16	1.44	1.01	3.60	2.40	1.60	1.10	0.75
F4-5-3 5-5-3 7-5-3	3	10.50	7.10	4.70	3.20	2.20	7.20	4.92	3.24	2.16	1.56	5.40	3.70	2.40	1.60	1.20
F4-5-4 5-5-4 7-5-4	4	14.00	9.50	6.30	4.20	2.90	9.60	6.48	4.32	2.88	2.04	7.20	4.90	3.20	2.20	1.50
7-5-5 9-5-5	5	17.50	11.90	7.90	5.30	3.70	12.00	8.16	5.40	3.60	2.52	9.00	6.10	4.10	2.70	1.90
7-5-6 9-5-6	6	21.00	14.30	9.50	6.30	4.40	14.40	9.84	6.48	4.32	3.00	10.80	7.40	4.90	3.20	2.30
9-5-7 11-5-7	7	24.50	16.70	11.00	7.40	5.20	16.80	11.40	7.56	5.04	3.48	12.60	8.60	5.70	3.80	2.60
9-5-8 11-5-8	8	28.00	19.00	12.60	8.40	5.90	19.20	13.08	8.64	5.76	4.08	14.40	9.80	6.50	4.30	3.10
11-5-9	9	31.50	21.40	14.20	9.50	6.60	21.60	14.64	9.72	6.48	4.56	16.20	11.00	7.30	4.90	3.40
11-5-10	10	35.00	23.80	15.80	10.50	7.40	24.00	16.32	10.80	7.20	5.04	18.00	12.20	8.10	5.40	3.80
11-5-11	11	38.50	26.20	17.30	11.60	8.10	26.40	18.00	11.88	7.92	5.52	19.80	13.50	8.90	5.90	4.10
11-5-12	12	42.00	28.60	18.90	12.60	8.80	28.80	19.56	12.96	8.64	6.00	21.60	14.70	9.70	6.50	4.50
11-5-13	13	45.50	30.90	20.50	13.70	9.60	31.20	21.24	14.04	9.36	6.60	23.40	15.90	10.50	7.00	5.00
11-5-14	14	49.00	33.30	22.10	14.70	10.30	33.60	22.80	15.12	10.08	7.08	25.20	17.10	11.30	7.60	5.30
11-5-15	15	52.50	35.70	23.60	15.80	11.00	36.00	24.48	16.20	10.80	7.56	27.00	18.40	12.20	8.10	5.70
13-5-16	16	56.00	38.10	25.20	16.80	11.80	38.40	26.16	17.28	11.52	8.04	28.80	19.60	13.00	8.60	6.00
13-5-17	17	59.50	40.40	26.80	17.80	12.50	40.80	27.72	18.36	12.24	8.52	30.60	20.80	13.80	9.10	6.40
13-5-18	18	63.00	42.80	28.40	18.90	13.20	43.20	29.40	19.44	12.96	9.12	32.40	22.10	14.60	9.70	6.80
13-5-19	19	66.50	45.20	29.90	20.00	14.00	45.60	30.96	20.52	13.68	9.60	34.20	23.20	15.40	10.30	7.20
13-5-20	20	70.00	47.60	31.40	21.00	14.70	48.00	32.64	21.60	14.40	10.08	36.00	24.50	16.20	10.80	7.70
13-5-21	21	73.50	50.00	32.90	22.00	15.40	50.40	34.32	22.68	15.12	10.56	37.80	25.70	17.00	11.30	7.90
13-5-22	22	77.00	52.50	34.40	23.10	16.10	52.80	36.00	23.76	15.84	11.04	39.60	27.00	17.80	11.90	8.30

VISIT
WWW.KEEPFLO.COM
FOR DISTRIBUTOR
SELECTION SOFTWARE

LET US DO IT FOR YOU! KEEPFLO
CAN BRAZE COPPER STUB INLETS
AND/OR COPPER CIRCUIT LEADS
TO ALMOST ANY DISTRIBUTOR.
**ASK YOUR KEEPFLO SALESPERSON
ABOUT THESE OPTIONS.**

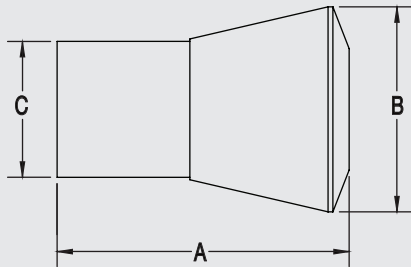
3/8" ODF VENTURI CAPACITY

DISTRIBUTORS 3/8 ODF																
Catalog Number	# Outlets	TONS - R-22					TONS - R-134A					TONS - R-404A / R-502 / R-507				
		40°	20°	0°	-20°	-40°	40°	20°	0°	-20°	-40°	40°	20°	0°	-20°	-40°
F4-6-2 7-6-2	2	12.3	8.3	5.5	3.7	2.6	8.4	5.8	3.8	2.5	1.8	6.3	4.3	2.9	1.9	1.4
F5-6-3 7-6-3	3	18.4	12.5	8.3	5.5	3.9	12.6	8.5	5.6	3.8	2.6	9.5	6.4	4.2	2.9	22.0
F5-6-4 7-6-4	4	24.5	16.7	11.1	7.4	5.1	16.8	11.4	7.6	5.0	3.5	12.6	8.6	5.7	3.8	2.6
9-6-5 11-6-5	5	30.6	20.8	13.9	9.2	6.4	21.0	14.3	9.5	6.4	4.4	15.8	10.7	7.1	4.8	3.3
9-6-6 11-6-6	6	36.8	25.0	16.6	11.1	7.7	25.2	17.2	11.4	7.6	5.3	18.9	12.9	8.6	5.7	4.0
11-6-7	7	42.9	29.2	19.4	12.9	9.0	29.4	20.0	13.2	8.9	6.1	22.0	15.0	9.9	6.7	4.6
11-6-8	8	49.0	33.3	22.2	14.7	10.3	33.6	22.8	15.1	10.1	7.1	25.2	17.1	11.3	7.6	5.3
11-6-9	9	55.1	37.5	25.0	16.5	11.6	37.8	25.7	17.0	11.3	7.9	28.3	19.2	12.7	8.5	6.0
11-6-10	10	61.3	41.7	27.7	18.4	12.9	42.0	28.6	19.0	12.6	8.9	31.5	21.4	14.2	9.5	6.7
11-6-11	11	67.4	45.8	30.4	20.2	14.2	46.2	31.4	20.8	13.8	9.7	34.3	23.5	15.6	10.4	7.2
11-6-12	12	73.5	50.0	33.2	22.1	15.5	50.4	34.3	22.7	15.1	10.6	37.8	25.7	17.0	11.3	7.9
13-6-17	17	99.4	67.6	44.8	29.9	21.0	68.2	46.3	30.7	20.5	14.4	51.1	34.7	23.0	15.4	10.8
13-6-18	18	108.5	73.9	49.0	32.7	21.7	74.4	50.6	33.6	22.4	14.9	55.8	37.9	25.2	16.8	11.2

1/2" ODF VENTURI CAPACITY

DISTRIBUTORS 1/2 ODF																
Catalog Number	# Outlets	TONS - R-22					TONS - R-134A					TONS - R-404A / R-502 / R-507				
		40°	20°	0°	-20°	-40°	40°	20°	0°	-20°	-40°	40°	20°	0°	-20°	-40°
11-8-2	2	17.5	11.9	7.9	5.3	3.8	12.0	8.2	5.4	3.6	2.5	9.0	6.1	4.1	2.7	1.9
11-8-3	3	26.3	17.9	11.8	7.9	5.5	18.0	12.2	8.2	5.4	4.2	13.5	9.2	6.1	4.1	3.2
11-8-4	4	35.0	23.8	15.8	10.5	7.6	24.0	16.3	10.8	7.2	5.0	18.0	12.2	8.1	5.4	3.8
11-8-5	5	43.8	29.8	19.7	13.2	9.2	30.0	20.4	13.6	9.0	6.4	22.5	15.3	10.2	6.8	4.8
11-8-6	6	52.5	35.7	23.6	15.8	11.0	36.0	24.5	16.2	10.8	7.6	27.0	18.4	12.2	8.1	5.7
11-8-7	7	61.3	41.7	27.6	18.4	12.9	42.0	28.6	19.0	12.6	8.9	31.5	21.4	14.2	9.5	6.7
11-8-8	8	70.0	47.7	31.5	21.1	14.7	48.0	32.6	21.7	14.4	10.2	36.0	24.5	16.3	10.8	7.7
11-8-9	9	78.7	53.7	31.9	23.7	16.5	54.0	36.7	24.4	16.2	11.4	40.5	27.5	18.3	12.1	8.6
11-8-10	10	87.5	59.6	39.4	26.3	18.4	60.0	40.8	27.1	18.0	12.7	45.0	30.6	20.3	13.5	9.5
11-8-11	11	96.3	65.6	43.3	28.9	20.3	66.0	44.9	29.9	19.8	14.0	49.5	33.7	22.4	14.8	10.5
11-8-12	12	105.2	71.5	47.2	31.5	22.1	72.0	49.0	32.6	21.6	15.4	54.0	36.8	24.5	16.2	11.4
11-8-13	13	113.8	77.5	51.2	34.2	24.0	78.0	53.0	35.3	23.4	16.6	58.5	39.8	26.5	17.6	12.4

VENTURI DIMENSIONS

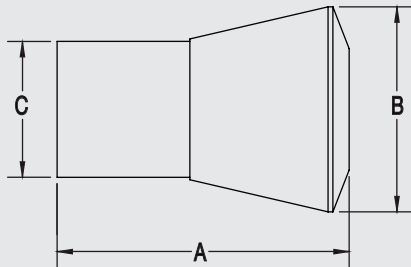


LET US DO IT FOR YOU! KEEPFLU CAN BRAZE COPPER STUB INLETS AND/OR COPPER CIRCUIT LEADS TO ALMOST ANY DISTRIBUTOR. ASK YOUR KEEPFLU SALESPERSON ABOUT THESE OPTIONS.

ROUGHING IN DIMENSIONS			
Catalog Number	A LENGTH	B DIA	C DIA ODM
3-3-2	0.80	0.63	0.38
3-3-3			
3-3-4	0.91	0.69	
3-3-5	1.04	0.81	
3-3-6	1.20	0.81	
3-3-7	1.36	0.88	
4-2.5-2	0.70	0.50	0.50
4-2.5-3			
4-2.5-4	0.91	0.63	
4-2.5-5	1.03	0.69	
4-2.5-6	1.03	0.69	
4-2.5-7	1.26	0.73	
4-2.5-8	1.27	0.80	
4-2.5-9	1.37	0.86	
4-2.5-10	1.47	0.94	
4-3-2	0.81	0.63	
4-3-3			
4-3-4	1.20	0.81	
4-3-5			
4-3-6			
4-3-7	1.36	0.88	
4-3-8	1.24	0.88	
4-3-9	1.61	1.00	
4-4-2	1.19	0.81	
4-4-3			
4-4-4			
4-4-5	1.55	1.06	
4-4-6			
4-4-7	1.33	1.25	
4-4-8			
5-2.5-2	0.97	0.81	
5-2.5-3			
5-2.5-4			
5-2.5-5	0.96	0.81	
5-2.5-6			
5-2.5-7			
5-2.5-8	1.43	0.94	
5-2.5-9			
5-2.5-10			
5-3-2	0.89	0.63	
5-3-3			
5-3-4	1.24	0.81	
5-3-5			
5-3-6			
5-3-7	1.38	0.88	
5-3-8			
5-3-9	1.38	1.25	
5-3-10			
5-3-12			
5-4-2	1.20	0.88	
5-4-3			
5-4-4			
5-4-5	1.50	1.00	
5-4-6			
5-4-7	1.34	1.25	
5-4-8			
5-4-9	1.74	1.63	
5-4-10			
5-4-11			
5-4-12			
5-5-2	1.17	0.88	
5-5-3	1.50	1.06	
5-5-4			

ROUGHING IN DIMENSIONS			
Catalog Number	A LENGTH	B DIA	C DIA ODM
7-2.5-10	1.17	1.06	0.88
7-2.5-11			
7-2.5-12			
7-2.5-13	1.87	1.25	
7-2.5-14			
7-2.5-15			
7-2.5-16			
7-2.5-17	1.71	1.50	
7-2.5-18			
7-2.5-19			
7-2.5-20	1.90	1.75	
7-2.5-21			
7-2.5-22			
7-2.5-23			
7-2.5-24			
7-3-5	1.50	0.88	
7-3-6			
7-3-7	1.18	1.00	
7-3-8			
7-3-9			
7-3-10	1.37	1.25	
7-3-11			
7-3-12			
7-3-13	1.80	1.63	
7-3-14			
7-3-15			
7-3-16			
7-3-17			
7-3-18	2.22	2.13	
7-3-19			
7-3-20			
7-3-21			
7-3-22			
7-3-23			
7-3-24			
7-4-2	1.33	0.88	
7-4-3			
7-4-4			
7-4-5	1.49	1.06	
7-4-6			
7-4-7	1.35	1.25	
7-4-8			
7-4-9	2.20	1.44	
7-4-10			
7-4-11	1.85	1.75	
7-4-12			
7-4-13			
7-4-14			
7-4-15	2.25	2.25	
7-4-16			
7-4-17			
7-4-18			
7-4-19			
7-4-20			
7-4-21	2.96	2.75	
7-4-22			
7-4-23			
7-4-24			
7-5-2	1.30	0.94	
7-5-3	1.55	1.06	
7-5-4			
7-5-5	1.94	1.25	
7-5-6			
7-6-2	1.50	1.13	
7-6-3			
7-6-4	1.88	1.25	

VENTURI DIMENSIONS

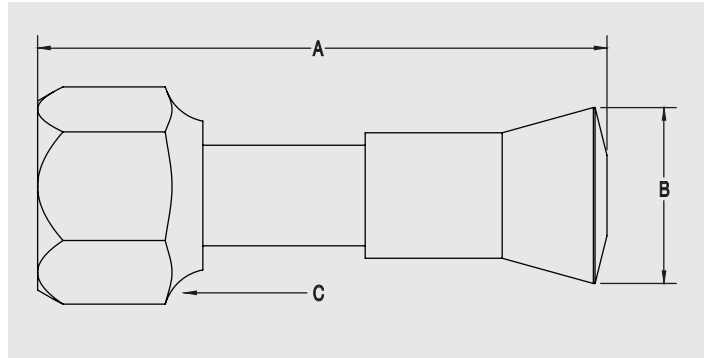
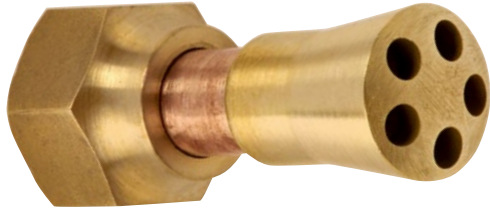


ROUGHING IN DIMENSIONS				
Catalog Number	A LENGTH	B DIA	C DIA ODM	
9-3-8 9-3-9 9-3-10 9-3-11	1.29	1.25	1.13	
9-3-12	1.30	1.25		
9-3-13 9-3-14 9-3-15 9-3-16 9-3-17 9-3-18	1.85	1.75		
9-3-19 9-3-20 9-3-21 9-3-22 9-3-23 9-3-24	2.31	2.11		
9-4-4 9-4-5 9-4-6 9-4-7 9-4-8	1.88	1.13		
9-4-9 9-4-10	2.20	1.38		
9-4-11 9-4-12 9-4-13	1.69	1.63		
9-4-14 9-4-15 9-4-16	2.08	2.00		
9-5-5 9-5-6	1.73	1.25		
9-5-7 9-5-8	2.09	1.63		
9-6-5 9-6-6	1.91	1.63		
11-4-8 11-4-9 11-4-10	2.33	1.44		1.38
11-4-11 11-4-12 11-4-13	1.85	1.75		
11-4-14 11-4-15 11-4-16	2.08	2.00		
11-4-17 11-4-18 11-4-19 11-4-20	2.44	2.25		
11-4-21 11-4-22 11-4-23 11-4-24	3.00	2.75		
11-5-7 11-5-8	2.22	1.63		
11-5-9 11-5-10 11-5-11 11-5-12	2.08	2.00		
11-5-13 11-5-14 11-5-15	2.40	2.25		

ROUGHING IN DIMENSIONS				
Catalog Number	A LENGTH	B DIA	C DIA ODM	
11-6-5 11-6-6	2.39	1.63	1.38	
11-6-7 11-6-8 11-6-9 11-6-10 11-6-11 11-6-12	2.40	2.25		
11-8-2 11-8-3	2.16	1.63		
11-8-4 11-8-5 11-8-6 11-8-7	2.40	2.25		
13-5-15 13-5-16	2.72	2.75		1.63
13-5-17	2.95	3.00		
13-5-18				
13-5-19				
13-5-20				
13-5-21				
13-5-22	2.95	3.00		
13-6-17				
13-6-18	2.95	3.00		
13-8-8	2.26	2.38		
13-8-9	2.72	2.75		
13-8-10	2.94	3.00		
13-8-12				
13-8-13	3.29	3.50		
.430-3-3	1.13	0.75	0.43	
.430-3-4 .430-3-5 .430-3-6	1.20	0.81		
.430-3-7 .430-3-8	1.25	0.88		
.430-4-2	1.13	0.75		
.430-4-3 .430-4-4	1.19	0.81		
.430-4-5	1.22	0.88		

REFRIGERANT DISTRIBUTORS
VENTURI-FLO™
 LOW PRESSURE DROP DISTRIBUTORS

FLARE CONNECTION VENTURI DIMENSIONS



Catalog Number	Inlet Flare Nut Size	A LENGTH	B DIA	C (HEX)
F4-2.5-2 F4-2.5-3	1/2 ODM	1.88	0.50	1.0
F4-2.5-4 F4-2.5-5		2.08	0.63	
F4-2.5-6		2.80	0.69	
F4-2.5-7		2.30	0.73	
F4-2.5-8		2.40	0.81	
F4-2.5-9		2.50	0.88	
F4-2.5-10		2.60	0.92	
F4-3-2 F4-3-3		2.00	0.63	
F4-3-4 F4-3-5 F4-3-6		2.40	0.81	
F4-3-7		2.50	0.88	
F4-3-8		2.70	0.88	
F4-4-2		2.10	0.81	
F4-4-3		2.20	0.81	
F4-4-4		2.35	0.81	
F4-4-5 F4-4-6		2.70	1.06	
F4-5-2		2.40	0.88	
F4-5-3		2.50	0.92	
F4-5-4		2.80	1.06	
F4-6-2		2.70	0.88	

Catalog Number	Inlet Flare Nut Size	A LENGTH	B DIA	C (HEX)
F5-2.5-2 F5-2.5-3 F5-2.5-4	5/8 ODM	2.18	0.63	1.13
F5-2.5-5 F5-2.5-6		2.36	0.66	
F5-2.5-7 F5-2.5-8 F5-2.5-9		2.67	0.94	
F5-2.5-10		2.72	0.91	
F5-2.5-12		2.92	1.02	
F5-2.5-13 F5-2.5-14 F5-2.5-15		3.31	1.27	
F5-3-2		2.05	0.81	
F5-3-3		2.36	0.63	
F5-3-4 F5-3-5 F5-3-6		2.36	0.81	
F5-3-7 F5-3-8		2.66	0.88	
F5-3-9 F5-3-10 F5-3-11 F5-3-12		3.11	1.25	
F5-3-13		3.67	1.61	
F5-4-2 F5-4-3 F5-4-4		2.42	0.88	
F5-4-5		2.72	1.00	
F5-4-6		2.72	0.88	
F5-5-2		2.39	0.88	
F5-5-3 F5-5-4		2.72	1.06	
F5-6-3		2.84	1.06	
F5-6-4		3.08	1.20	

CUSTOM-BRAZED ASSEMBLIES

AS A DIVISION OF CONTROL DEVICES, KEEPFL0 HAS BROAD MACHINING AND BRAZING CAPABILITIES IN OUR MODERN MANUFACTURING FACILITIES LOCATED NEAR ST. LOUIS, MISSOURI. BOTH INLET TUBES AND OUTLET DISTRIBUTOR TUBES CAN BE BRAZED TO DISTRIBUTORS FOR RELIABLE, LEAK-FREE ASSEMBLIES.

PUT US TO THE TEST FOR YOUR CUSTOMIZED ASSEMBLY REQUIREMENTS.



VISIT
WWW.KEEPFLO.COM
FOR DISTRIBUTOR
SELECTION SOFTWARE

CONTROL DEVICES, LLC
1555 LARKIN WILLIAMS ROAD
FENTON, MISSOURI 63026

+1 636.660.7100
+1 800.233.1477
WWW.CDIVALVE.COM